

## 3"-4" Stainless Steel Self-Priming Pumps

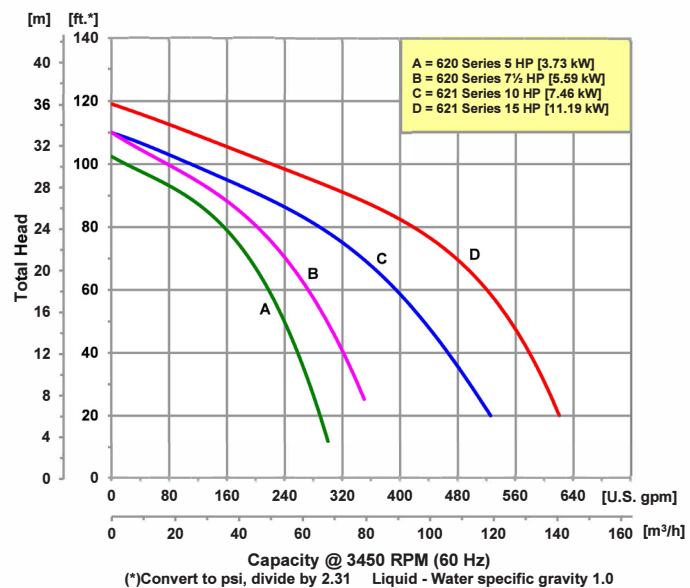
- **Cast Stainless Steel Construction**
- **Viton Mechanical Seal, O-Rings and Gaskets**
- **Optional Silicon Carbide Seal Available**
- **3" or 4" Male NPT Suction/Discharge**
- **Built-In Viton Flapper/Check Valve Permits Self-Priming up to 20'**
- **Stainless Steel Self-Cleaning Semi-Open Impeller**
- **Maximum Solids Handling**
  - 3" Models up to 1/2"
  - 4" Models up to 3/4"
- **5 to 15 HP TEFC, Single and Three Phase Motors**
- **Fill & Drain Plugs for Easy Servicing**
- **Maximum Head up to 120' TDH (52 PSI)**
- **Maximum Flow up to 620 GPM**
- **Maximum Temperature 200° F**



4" Stainless Steel Pump with A200-90 Optional Base

The AMT Stainless Steel Self-Priming Pumps are designed for a broad range of high capacity applications, including dewatering, liquid transfer, chemical transfer, circulation, and drainage applications. These units have a stainless steel casing, bracket, seal plate, removable volute, and a clog resistant semi-open impeller. Pumps are designed to handle liquids with solids contents up to 1/2" spherical solids for our 3" models and 3/4" spherical solids for our 4" models. Built-in check valves for fast priming are standard on all units. Fill and drain plugs for easy installation and servicing.

Performance of 3"-4" Self-Priming Centrifugal Pumps



400 Spring Street • Royersford, PA 19468 USA

[www.amtpump.com](http://www.amtpump.com) • 888-amt-pump (268-7867)

For use with nonflammable liquids compatible with pump component materials. Viton® and Teflon® are registered trademarks of E. I. DuPont.

## Pump Dimensional & Specification Data

Model	Curve	SUC*	DIS*	A**	B**	C**	D	E	F	L**	W**	H	Ship Wt. (lbs.)
6200-98	A	3	3	7.1 [18.0]	6.8 [17.3]	18.0 [45.7]	5.5 [14.0]	7.5 [19.1]	4.5 [11.4]	33 [84]	14.1 [35.9]	16.1 [40.9]	168
6201-98				8.1 [20.6]	6.8 [17.3]	17.3 [44.0]	5.5 [14.0]	7.5 [19.1]	4.5 [11.4]	34 [86]	15.2 [38.6]	16.1 [40.9]	182
6202-98	B			7.1 [18.0]	6.8 [17.3]	18.0 [45.7]	5.5 [14.0]	7.5 [19.1]	4.5 [11.4]	33 [84]	14.1 [35.9]	16.1 [40.9]	193
6203-98				8.1 [20.6]	6.8 [17.3]	18.8 [47.8]	7.0 [17.8]	8.5 [21.6]	5.3 [13.5]	34 [86]	15.2 [38.6]	16.1 [40.9]	223
6210-98	C	4	4	7.5 [19.1]	7.5 [19.1]	19.0 [48.3]	7.0 [17.8]	8.5 [21.6]	5.3 [13.5]	37 [94]	14.6 [37.1]	16.1 [40.9]	213
6211-98				9.3 [23.6]	7.5 [19.1]	18.0 [45.7]	7.0 [17.8]	8.5 [21.6]	5.3 [13.5]	37 [94]	16.4 [41.7]	16.1 [40.9]	230
6212-98				D	7.5 [19.1]	7.5 [19.1]	19.0 [48.3]	7.0 [17.8]	8.5 [21.6]	5.3 [13.5]	38 [97]	14.6 [37.1]	16.1 [40.9]

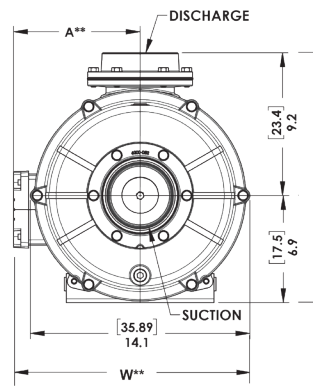
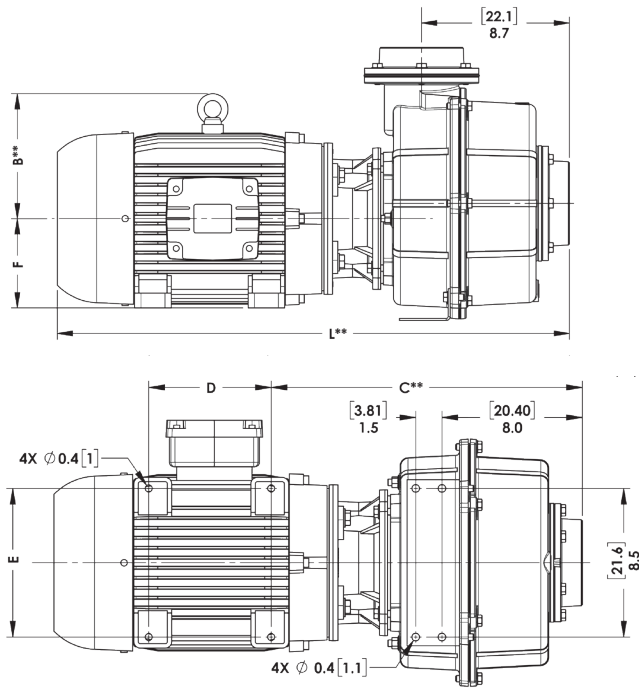
(\*) Standard NPT (Female) pipe thread.

(\*\*) This dimension may vary due to motor manufacturer's specifications.

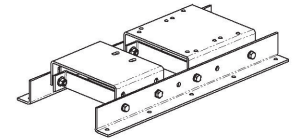
(+) 3-Phase motors can also operate on 50 Hz. (this will change full load amps, service factor and RPM)

NOTE: Dimensions are in inches (centimeters) and have a tolerance of  $\pm 1/4$ ".

NOTE: Electric supply for ALL motors must be within  $\pm 10\%$  of nameplate voltage rating (e.g. 230V  $\pm 10\%$ =207 to 253)



### Optional Mounting Base Model A200-90



Model	HP	PH	ENC	Frame	Voltage @ 60 Hz+	Full Load Amps
6200-98	5	3	TEFC	184JM	230-460	17/9
6201-98	5	1	TEFC	184JM	230	20
6202-98	7.5	3	TEFC	184JM	230/460	22/11
6203-98	7.5	1	TEFC	215JM	230	31
6210-98	10	3	TEFC	215JM	230/460	26/13
6211-98	10	1	TEFC	215JM	230	40
6212-98	15	3	TEFC	215JM	230/460	36/18

## Standard Features

- Cast Stainless Steel Construction
- Viton Mechanical Seal w/Carbon/Carbide Faces
- Optional Silicon Carbide Seal Available
- 3" or 4" NPT Suction/Discharge Ports
- Fill and Drain Plugs for Easy Servicing
- Maximum Temperature 200°F
- Maximum Head up to 120' TDH (52 PSI)
- Maximum Flow up to 620 GPM
- Semi-Open Impeller with Spherical Solids Handling up to
  - 3" Models up to 1/2"
  - 4" Models up to 3/4"
- Built-In Viton Flapper/Check Valve Permits Self-Priming up to 20'
- 5 to 15 Totally Enclosed Fan Cooled (TEFC) Single and Three Phase Motors
- Maximum Working Pressure up to 100 PSI
- Optional Mounting Base Available (A200-90) available on all models